

Mechanical Thermostat



ONX806-CA Room Thermostat Installation and Operation Manual

ONX806-CA series room thermostat is used in industrial, commercial and residential environments and is especially designed for Cooling to maintain the room temperature. ONX806-CA series room thermostat allows users to choose from 3 speeds in order to control the outlet air speed. In addition fan is automatically controlled by room temperature.

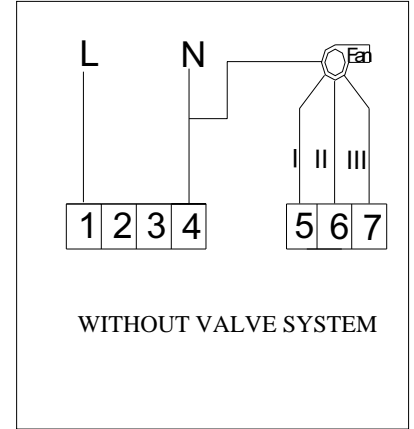
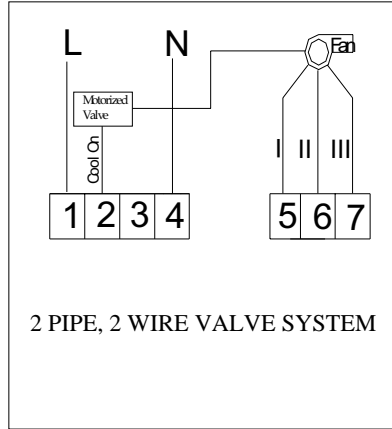
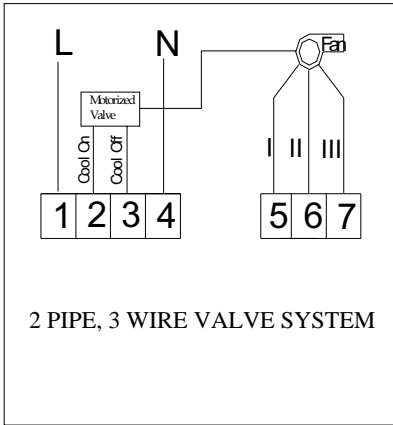
Specification :

Set point range : 10 ~ 30 C°	Sensor type : Dual Diaphragm Element
Temp accuracy : +/- 1 C°	Voltage : AC 220V +/-10% 50Hz/ 60Hz
Rated current : < 3A	Dimension : 85mm×40mm×128mm
Fixing screw width : 60 mm (standard)	Wiring diameter : 0.5 ~ 2.5mm

Operation :

OFF /COOL:	Push switch to OFF position as power off. Push switch to COOL position as cooling mode.
ON/AUTO:	Push switch to ON position, the fan starts working, and keep running speed as your requires (I, II, III speed); Push switch to AUTO position, the fan will be controlled by the temperature of surroundings.
Set Point :	Adjust the temperature knob to desire temperature.
Fan Speed :	Fan switch to control the fan speed. I,II,III speed

ONX806-CA Wiring Diagram:



Frame and dimension:

