

# Mechanical Thermostat



## ONX806-C Room Thermostat Installation and Operation Manual

---

ONX806-C series room thermostat is used in industrial, commercial and residential environments and is especially designed for Cooling to maintain the room temperature. ONX806-C room thermostat allows users to choose from 3 speeds in order to control the outlet air speed.

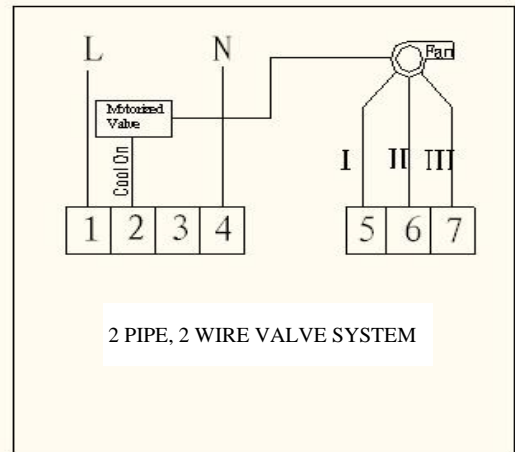
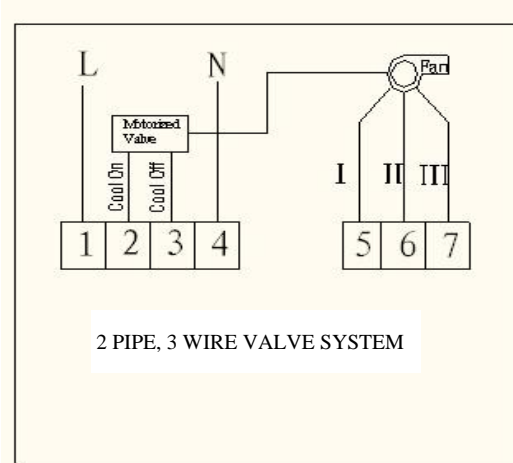
### Specification :

|                                       |                                      |
|---------------------------------------|--------------------------------------|
| Set point range : 10 ~ 30 C°          | Sensor type : Dual Diaphragm Element |
| Temp accuracy : +/- 1 C°              | Voltage :AC 220V +/-10% 50Hz/ 60Hz   |
| Rated current : < 3A                  | Dimension : 85mm×40mm×128mm          |
| Fixing screw width : 60 mm (standard) | Wiring diameter : 0.5 ~ 2.5mm        |

### Operation :

|             |   |
|-------------|---|
| OFF /       | Push switch to OFF position as power off.           |
| COOL :      | Push switch to COOL position as cooling mode.       |
| Set Point : | Adjust the temperature knob to desire temperature.  |
| Fan Speed : | Fan switch to control the fan speed. I,II,III speed |

## ONX806-C Wiring Diagram:



## Frame and dimension:

